



# 30kW<sup>1</sup> STANDBY GENERATOR

## BRIGGS & STRATTON® THE SMART CHOICE

For the discerning homeowner that is looking for the smartest, most reliable permanent backup power solution.

### FORTRESS™

**Introducing our dealer exclusive line. Available at your local Briggs & Stratton Dealer with these great features:**

- The industry's longest parts, labor and travel limited warranty
- Installed block heater for increased starting protection in colder weather



#### Easy to Service

- Convenient access to maintenance and disassembly points for quicker trouble-free servicing.
- Easier to open gas spring roof keeps the hood in place while making repairs
- Direct access to engine, alternator and fuel system

#### Quality Clean Power

- Ensures your electronics are safely powered

#### Liquid-Cooled Briggs & Stratton Engine

- Delivers the dependability homeowners expect from their generator
- Tailored to standby generator applications with hardened seats and valves.
- Easy conversion between natural gas (NG) and liquid propane gas (LP) during installation

#### Symphony® II Power Management System

- Customizable to your home's needs
- Automatically balances the power of your home's electrical load including high wattage items like air conditioning units and electric ovens
- Offers whole house power with a more affordable home generator

#### Corrosion Resistant Enclosure & Base

- Made with automotive grade galvalume steel to resist rust
- Powder-coated paint for years of protection against chips and abrasions



### GENERATOR SET RATINGS

MODEL	VOLTAGE	POWER FACTOR	PHASE	HZ	BREAKER	LIQUID PROPANE GAS		NATURAL GAS		LIMITED WARRANTY <sup>2</sup>
						LP kW	LP AMPS	NG kW	NG AMPS	PARTS, LABOR, TRAVEL
Fortress 076880	120/240	1	1	60	150	30	125	30	125	6 Year

<sup>1</sup> This generator is rated in accordance with UL (Underwriters Laboratories) 2200 (stationary engine generator assemblies) and CSA (Canadian Standards Association) standard C22.2 No. 100-04 (motors and generators).

<sup>2</sup> Warranty details available at [www.briggsandstratton.com](http://www.briggsandstratton.com)



**ENGINE SPECIFICATIONS**

ENGINE		LUBRICATION	
Engine Model	Briggs & Stratton®	Oil Capacity (oz)	128
Engine Model Type Trim Number	BS481Q49	Lubrication System	Full Pressure
Engine Speed (RPM)	3600	Recommended Oil	5W30 Full Synthetic
Engine Fuel	Liquid Propane (LP) or Natural Gas (NG)	Low Oil Pressure Sensor	Yes
Engine Cylinder Configuration	Inline	ALTERNATOR SPECS	
Number of Cylinders	4	Type	Brushless, Rotating
Displacement (cu.in/cc)	97 / 1587	Voltage Regulator	Automatic
Bore & Stroke	3.19 & 3.03 in / 81 & 77 mm	Insulation	Class H
Compression Ratio	9.5:1	CONTROLLER FEATURES	
Governor Type	Electronic	Hour Meter	Yes
Frequency Regulation	+/- .25%	LED Digital Display	Yes
Valves	OHV with Hardened Seats	Fault Code Display	Yes
Ignition System	Electronic	Weekly Exerciser	Yes
Starter Motor Rating Voltage	12 Volt		
Battery	12 Volt		

**OPERATIONS**

	FUEL CONSUMPTION <sup>1</sup>			
	50% Load		100% Load	
Liquid Propane	115 ft <sup>3</sup> / hr	3.2 gal / hr	175 ft <sup>3</sup> / hr	4.9 gal / hr
Natural Gas	275 ft <sup>3</sup> / hr	—	415 ft <sup>3</sup> / hr	—

**SOUND RATING  
AT 7 METERS PER ISO 3744**

66 dBA

Lowest measurement of 12 microphones around generator. Sound level measurement at other locations around generator may be different depending upon installation configuration.

<sup>1</sup> Fuel consumption rates are estimated based on normal operating conditions. Generator operation may be greatly affected by elevation and the cycling operation of multiple electrical appliances – fuel flow rates may vary depending on these factors.



ADDITIONAL INFORMATION

OTHER FEATURES

<b>Enclosure Material</b>	Galvanneal Steel with Corrosion Resistant Paint
<b>Overcrank Protection</b>	Yes
<b>Engine Warm Up (sec)</b>	20 or 50 Automatic Transfer Switch Controlled
<b>Engine Cool Down (min)</b>	1
<b>Response Time (sec)</b>	26 or 56 Automatic Transfer Switch Controlled
<b>Monitoring</b>	Basic Wireless Monitor InfoHub™ Monitor
<b>Continuous Battery Charging</b>	Yes

WEIGHT AND DIMENSIONS

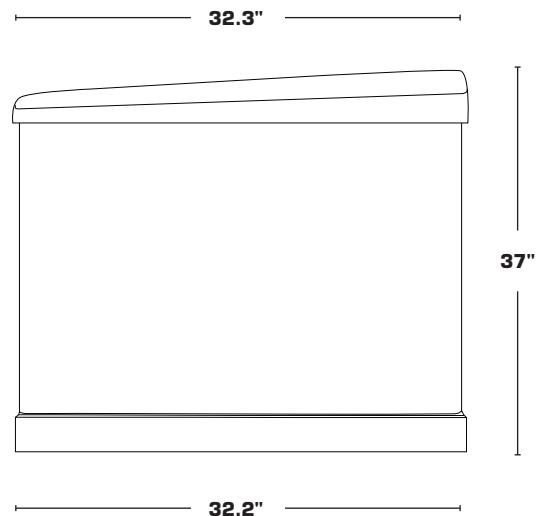
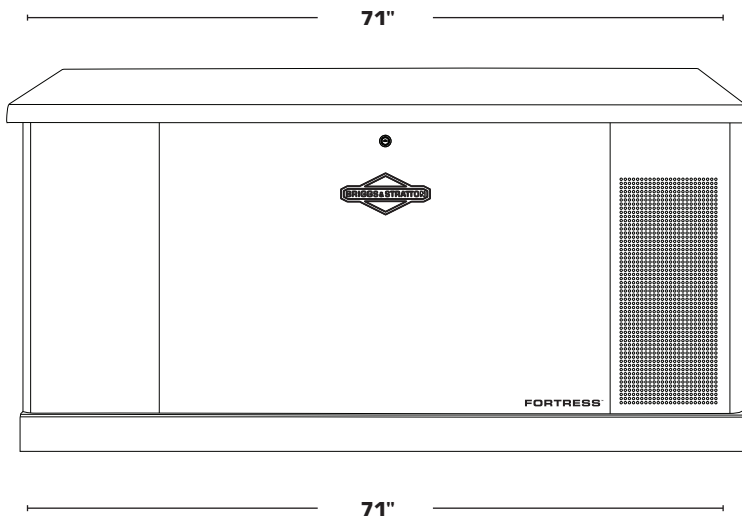
<b>Assembled Weight (lbs)</b>	1086
<b>Overall Dimensions (in)</b>	71 x 32.2 x 37
<b>Packaged Weight (lbs)</b>	1135
<b>Packaged Dimensions (in)</b>	75.2 x 36 x 43.7

CERTIFICATION

<b>CARB Compliant</b>	Yes
<b>NFPA Approved</b>	Yes
<b>cUL Listed to CSA 22.2 NO 100-04</b>	Yes
<b>NEMA Compliant</b>	Yes
<b>EPA Certified Fuel System</b>	Yes

AVAILABLE ACCESSORIES

<b>Maintenance Kit</b>	6268
<b>Cold Weather Kit</b>	6182
<b>Basic Wireless Monitor</b>	6229
<b>InfoHub</b>	6260
<b>Remote Status Monitor</b>	6144





**FUEL PIPE SIZE RECOMMENDATION CHART (CAPACITY IN THOUSANDS OF BTU/HOUR)**

**Natural Gas/Inlet Pressure less than 2 PSI/ Pressure drop .05" w.c./ Specific Gravity 0.60**

	1/2" pipe capacity	3/4" pipe capacity	1" pipe capacity	1-1/4" pipe capacity	1-1/2" pipe capacity	2" pipe capacity
20' Length*	118	247	466	957	1,430	2,760
40' Length*	81	170	320	657	985	1,900
60' Length*	65	137	257	528	791	1,520
80' Length*	56	117	220	452	677	1,300
100' Length*	50	104	195	400	600	1,160

**Propane, Pipe/Tubing, Second, Single or Integral Twin Stage Pipe Sizing 11" Water Column Inlet with a 1/2" Water Column Drop Maximum Capacity of Pipe or Tubing**

	1/2" pipe capacity	3/4" pipe capacity	1" pipe capacity	1-1/4" pipe capacity	1-1/2" pipe capacity	2" pipe capacity
20' Length*	200	418	788	1,617	2,423	4,666
40' Length*	137	287	541	1,111	1,665	3,207
60' Length*	110	231	435	892	1,337	2,575
80' Length*	94	198	372	764	1,144	2,204
100' Length*	84	175	330	677	1,014	1,954

\*Total length of piping from outlet of regulator to appliance furthest away.

**ADDITIONAL INFORMATION**

**TRANSFER SWITCH SPECIFICATIONS**

<b>Symphony® II</b>	200 AMP	Model # 071068
<b>Symphony® II Dual 200 Amp</b>	2x200/400	Model # 071057
<b>Voltage Rating</b>	120/240	
<b>Number of Protected Circuits</b>	Whole House	
<b>UL Approved</b>	Yes	
<b>NEMA 3R Rated</b>	Yes	

**SUPPORT EVERY STEP OF THE WAY**

**NEED HELP? Just call 800-759-2744**

Our technical support team is trained to answer questions on our generators, transfer switches and accessories.

**CALL TODAY FOR A FREE IN-HOME ESTIMATE!  
800-743-4115**

**Disclaimer:** Not for Prime Power or use where standby systems are legally required, for serious life safety or health hazards, or where lack of power hampers rescue of fire-fighting operations.

**BRIGGS & STRATTON**

POWER PRODUCTS GROUP, LLC  
POST OFFICE BOX 702  
MILWAUKEE, WI 53201 USA  
Copyright ©2016. All rights reserved. F1007-A – 5/16